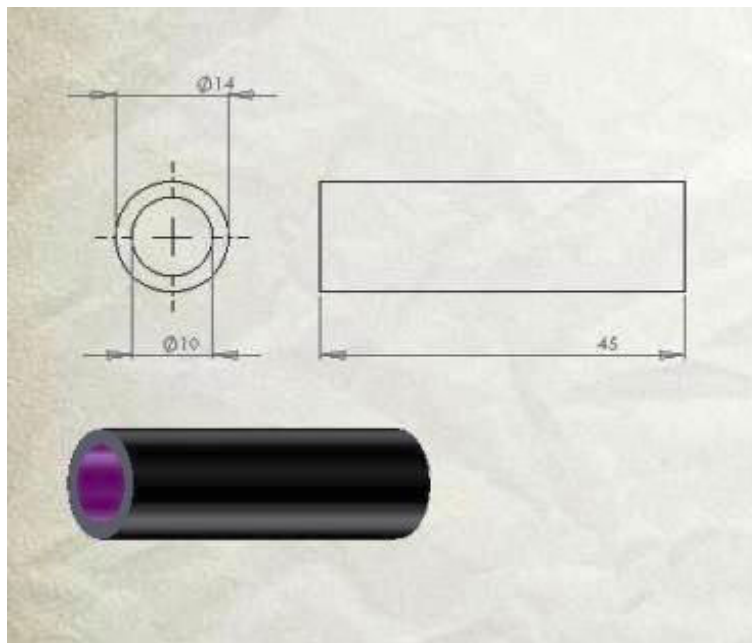
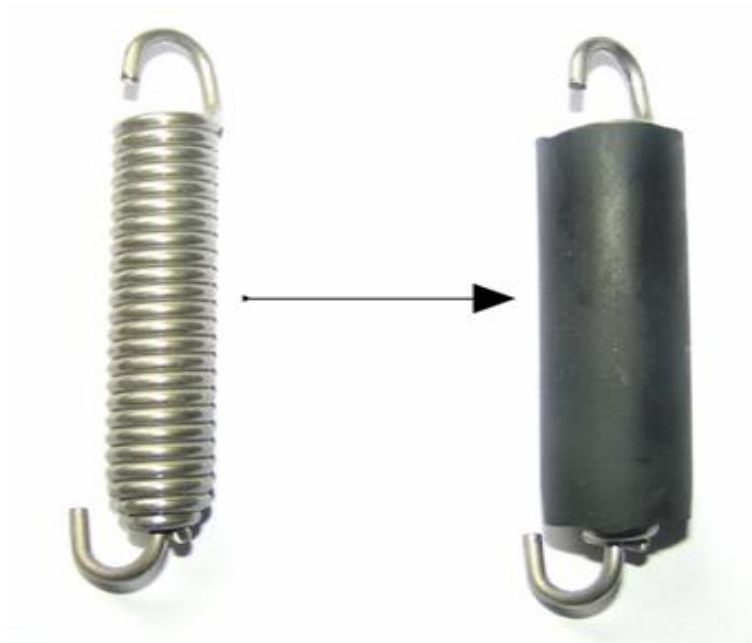


swissauto

Important notice:

At some customers Swissauto detected several broken exhaust muffler springs after a couple of hours. To solve this problem, we advice you to modify your springs with a tight rubber tube like on the pictures below.



This rubber hose or a similar one will be available at your local dealer. In the future, all new engines will be supplied including this update.